

# Measuring Guide for Drapery

Double-check your work—always measure twice to ensure accuracy.

### Tools and Tips

- Steel tape measure — do not use cloth tape
- Pencil
- Round measurements to the nearest 1/8"

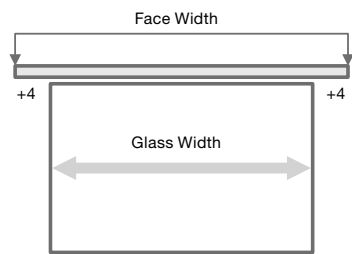
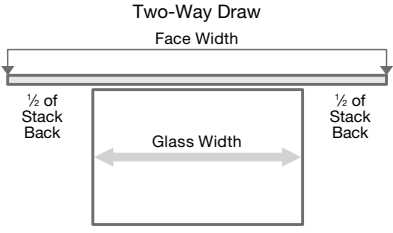
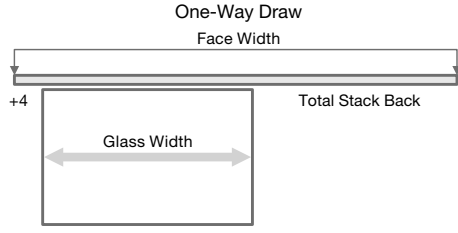
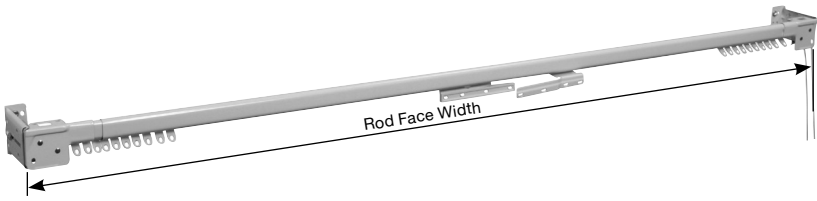

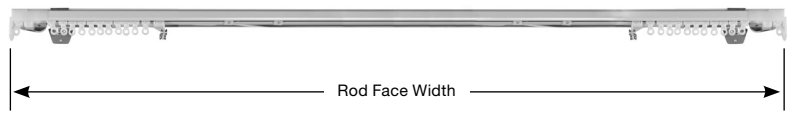
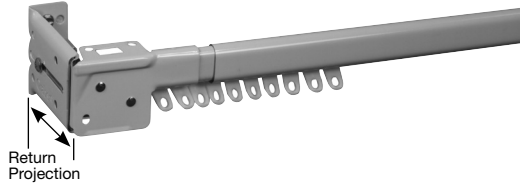


## Drapery Width

Consider the look you want to create when determining the type of drapery hardware and its placement. Rod type and placement determine the width and length of the draperies needed. General guidelines follow.

### Width

There are only two measurements you need to determine the width of the drapery: the face width to be covered and the projection of the rod.

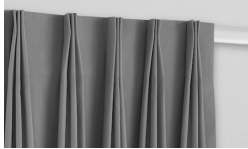


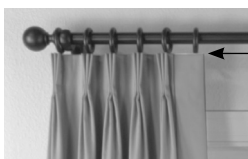







Determining the Width of the Area to be Covered	
<p><b>Minimum Rod Placement</b></p> <p>Face Width = glass width + 8" (4" per side)</p>	
<p><b>Stack Back Consideration</b></p> <p>Additional wall coverage may be needed in order for the drapery to stack back off the glass when opened.</p> <p>The general rule is that the total stack back needed is approximately 1/2 the width of the window. Additional width may be needed for heavy or bulky fabrics.</p> <p>Face Width = glass width + total stack back</p>	<div style="display: flex; justify-content: space-around;"> <div style="text-align: center;"> <p>Two-Way Draw</p>  </div> <div style="text-align: center;"> <p>One-Way Draw</p>  </div> </div>
<p><b>Bracket to Bracket Face Width</b></p>	
<p><b>Inside Finial to Inside Finial Face Width</b></p>	
<p><b>End to End Face Width</b></p>	
<p><b>Return Projection</b></p> <p>Measure from the wall to the face of the rod.</p>	

# Drapery Length

Determine your drapery style and the type of drapery hardware you will use (see drapery styles and hardware summary chart for pairing options).

## Length

There are only two measurements you need to determine the length of the drapery: the length you want to be covered and the starting point of the drapery.

Determine Your Starting Point (based on the type of rod and style of drapery you have chosen)			
Type of Drapery	Starting Point	Type of Drapery	Starting Point
Pleated	 <p>← Top of rod</p> <ul style="list-style-type: none"> <li>• Traverse rod</li> <li>• Curtain rod</li> </ul>	Rod Pocket Top and Bottom	 <p>← Top of top rod</p> <ul style="list-style-type: none"> <li>• Sash rods</li> <li>• Tension rods</li> <li>• Length does not include headers</li> </ul> <p>← Bottom of bottom rod</p>
	 <p>← Bottom of rod</p> <ul style="list-style-type: none"> <li>• Decorative traverse rod with glides</li> </ul>		
	 <p>← Bottom of ring</p> <ul style="list-style-type: none"> <li>• Decorative traverse rod with rings</li> <li>• Decorative pole with rings</li> </ul>	Grommet Top	 <p>← Top of pole</p> <ul style="list-style-type: none"> <li>• Decorative pole (length does not include fabric above the rod)</li> </ul>
Roll Pleat	 <p>← Bottom of rod</p> <ul style="list-style-type: none"> <li>• Roll pleat rod</li> </ul>	Tab	 <p>← Top of pole</p> <ul style="list-style-type: none"> <li>• Decorative pole</li> </ul>
Plain Top	 <p>← Top of clip hinge</p> <ul style="list-style-type: none"> <li>• Decorative pole with clip rings</li> </ul>		 <p>← Top of pole</p> <ul style="list-style-type: none"> <li>• Decorative pole</li> <li>• Length includes tabs</li> </ul>
Rod Pocket	 <p>← Top of pole</p> <ul style="list-style-type: none"> <li>• Decorative pole (length does not include heading)</li> </ul>		 <p>← Top of pole</p> <ul style="list-style-type: none"> <li>• Decorative pole</li> <li>• Length includes tabs</li> </ul>

## Determine the Length to be Covered: the bottom stopping point of your drapery. The five most popular styles are below.

Measure from above starting point.



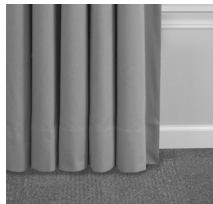
**Sill**

Top of sill less 1/2"



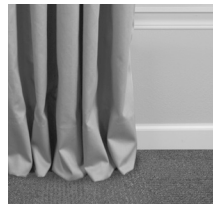
**Apron**

Bottom of apron plus 1"



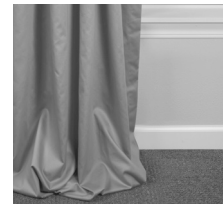
**Floor<sup>(1)</sup>**

Top of floor less 1/2"



**Trouser**

Top of floor plus 2"










**Puddle**

Top of floor plus 6"-10"

<sup>(1)</sup> When using a drapery under another drapery, 1" above floor is recommended.

## Drapery Styles and Hardware Summary

Type of Rod	Drapery Style	Face Width	Length	Return Projection	Minimum Recommended Rod Placement	Other Considerations
 <p><b>Curtain Rod</b></p>	Pleated or decorative panels with valance over them Rod pocket	Bracket to bracket	Top of rod to desired length	Wall to front of rod	4" to 5" above the glass	When ordering a rod pocket drapery, the heading is NOT included in the finished length
 <p><b>Decorative Pole</b></p>	Grommet top Rod pocket Tab styles	Inside finial to inside finial	Top of pole to desired length		6½" to 7" above the glass	When ordering a rod pocket drapery, the heading is NOT included in the finished length
 <p><b>Decorative Traverse</b></p>	Pleated	Inside finial to inside finial	With slides: bottom of rod to desired length With rings: bottom of ring to desired length	Wall to front of rod	6½" to 7" above the glass	Returns are strongly recommended to prevent light seepage
 <p><b>Traverse Rod</b></p>	Pleated	Bracket to bracket	Top of rod to desired length	Wall to front of rod	4" to 5" above the glass	Typical projections— single traverse rod: 3½" double traverse rod: 5½" Returns offered: 2", 4", 6"
 <p><b>Decorative Pole with Rings</b></p>	Pleated Plain top Rod pocket	Inside finial to inside finial	Using eyelet: bottom of ring to desired length Using clip: hinge of clip to desired length	Wall to front of rod	6½" to 7" above the glass	
 <p><b>Sash or Tension</b></p>	Top and bottom rod	Bracket to bracket	Top of top sash rod to bottom of bottom sash rod		Sash rod: 1" to 2" above and below the glass Tension rod: desired length	When ordering a rod pocket drapery, the heading is NOT included in the finished length
 <p><b>Roll Pleat Style Rod</b></p>	Roll pleat (100 or 120 fullness)	End to end	Bottom of rod	Approximately 3½"	5" to 6" above the glass	Specify butt or overlap master glides when ordering