

# Measuring Guide for Horizontal Blinds

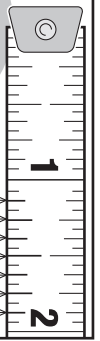
## Aluminum Blinds and Vinyl Blinds

### Tools and Tips

- Steel tape measure — do not use cloth tape
- Pencil
- Measurement Worksheet — See page 3
- Measure each window and identify window locations — size variances are common
- Round measurements to the nearest  $\frac{1}{8}$ "
- Clearly record measurements — width vs. height

Double-check your work—always measure twice to ensure accuracy.

1/8"  
1/4"  
3/8"  
1/2"  
5/8"  
3/4"  
7/8"

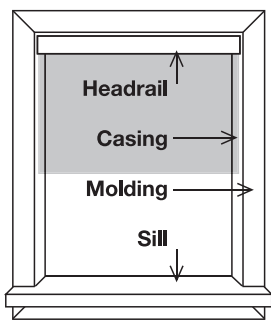


## Choose a Mount Type: Inside Mount or Outside Mount

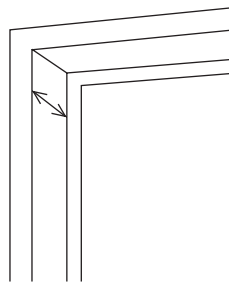
(See page 3 if you need help deciding which mount is best for your windows.)

### Inside Mount

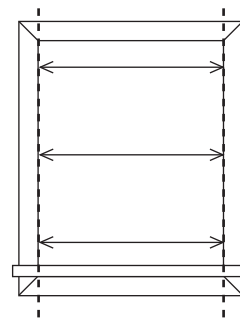
Window treatments are installed inside the window casing.



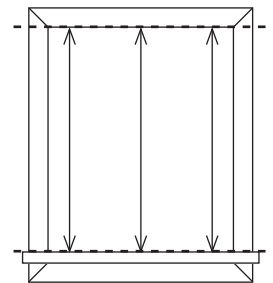
Inside Mount Blind



Depth



Width



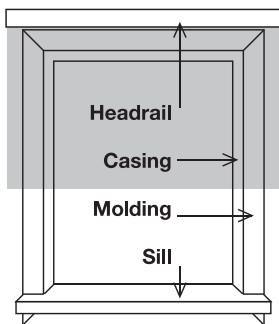
Height

- 1 **Measure Depth:** See chart on page 3 to determine if window casing has enough depth for an inside mount window treatment.
- 2 **Measure Width:** Measure the inside width of window casing in three places. Record narrowest measurement.
- 3 **Measure Height:** Measure the inside height from the bottom of the top window casing to top of sill in three places. Record longest measurement.

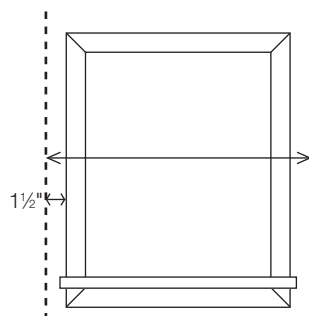
**Note: Do not take any deductions for clearance. The manufacturer will take necessary deductions for a perfect fit.**

### Outside Mount

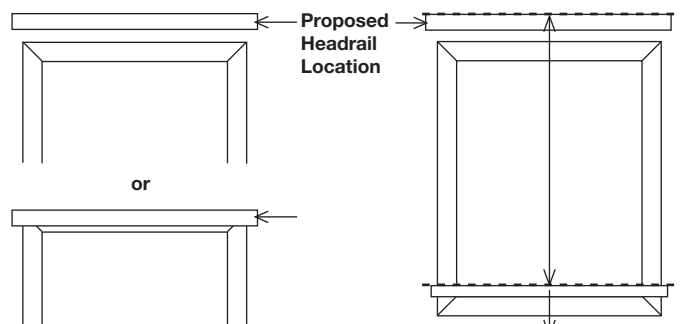
Window treatments are installed outside the window casing. Mount directly to wall or molding.



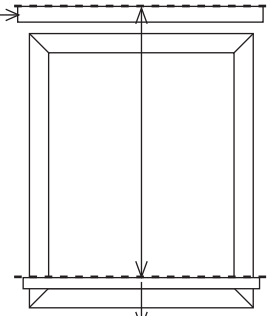
Outside Mount Blind



Width



Headrail Location

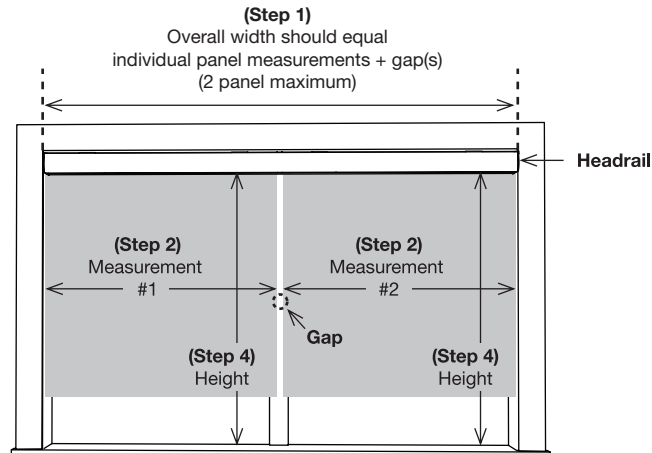


Height

- 1 **Measure Width:** Measure width to be covered. We recommend  $1\frac{1}{2}$ " overlap on each side of the window (3" total) for optimum light control and privacy. Record measurement.
- 2 **Determine Headrail Location:** Determine if headrail will be on molding or above molding and mark spot.
- 3 **Measure Height:** Measure height to be covered from top of headrail location to top of sill or lower if overlap is desired for additional light control and privacy. Record measurement.

**Note: The manufacturer makes NO deductions on WIDTH on outside mount installations.**

## How To Measure Multiple Blinds On One Headrail



- 1 Measure overall width of the area to be covered. If space permits, an overlap of 1½" per side is recommended for outside mounts.
- 2 Measure the width of the area each blind is to cover. Measure and specify the left blind first, continuing to the right. Allow a minimum of ¼" between blinds for operating clearance. (⅜" minimum for cordless option; ½" minimum for NoHoles™ option on 2" vinyl)
- 3 Total width of all blinds, plus clearance(s), must equal overall width.
- 4 Measure height as follows:
  - a. For windows, use standard inside or outside measuring procedures.
  - b. For patio doors, measure height within ¾" of floor, either from ceiling or a point at least 6½" above the door frame.

## How to Order Multiple Blinds on One Headrail

- 1 Specify total width of headrail.
- 2 Indicate each panel width separately; specify left blind first, continuing to the right.
- 3 Specify control positions.
- 4 Add appropriate surcharge, if to the left of the solid line on the price chart.

**Example: Left Panel (49⅞") + Gap (¼") + Right Panel (49⅞") = Overall (100").**

# Mounting Considerations

## Reasons for Choosing Inside Mount

### Clean Look

- These treatments are installed inside the window casing, showcasing attractive window trim.
- The window opening frames the treatment for a finished, clean appearance.

### Allows Sill Space on Deep Windows

- In some deep-set windows, the window treatment can be installed to allow plants or other items to be placed in front of the window treatment on the sill.

## Limitations of Inside Mount

### Light Gaps

- A small deduction in the width and/or length is taken by the manufacturer to allow for proper operating clearance, and this causes a small amount of light to spill through on each side of the treatment, affecting the treatment's ability to darken a room.

### Obstructed View

- The stack (thickness of the window treatment when fully raised) will obstruct a part of the view from the window.
- The amount of stack varies by product.

### Architectural Obstacles

- Obstacles such as handles and cranks can interfere with the operation of inside mount treatments.

## Reasons for Choosing Outside Mount

### Improve Privacy and Light Control

- Light spilling through on the side of the window treatment can be substantially diminished or eliminated.

### Fewer Installation Limitations

- Ideal for covering windows that are not level.
- Because they are installed higher than the window opening, these treatments offer an unobstructed view when fully raised.

### Architectural Obstacles

- These window treatments can clear obstacles like handles and cranks.

### Enlarge the Look of a Small Window

- Increase overlap above and below or to each side of the window.

### Hide Window Trim


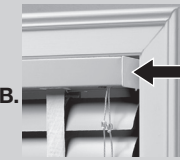
- These treatments can easily hide unattractive window trim.

## Limitations of Outside Mount

### Required Surface Above Window Frame

- Brackets require at least 2" of flat surface above window or on window frame for installation; Projection brackets can be ordered if needed to clear frame or molding.

## Inside Mount Window Casing Minimum Depth Requirements

| <p><b>A. Flush Mount:</b> If the window casing is deep enough to mount the entire headrail inside of it, this is called a flush mount.</p> <p><b>B. Partially Recessed:</b> A partially recessed window treatment is when the depth of the window casing is less than the space necessary for a flush mount.</p> |  <p>Depth needed for Flush Mount</p> |  <p>Depth needed for Partially Recessed</p> | <p>Depth needed for Flush Mount with Valance</p> |
|--|---|---|--|
| 1/2" LightBlocker™ Micro Aluminum Blinds   | 1 1/4"  |   | N/A  |
| 1" LightBlocker and 1" LightBlocker Privacy Aluminum Blinds (cord lift only)   | 2 1/4"  |   |  |
| 1" LightBlocker and 1" LightBlocker Privacy Aluminum Blinds (cordless lift only)   | 1 5/16"   | 3/4"  | 1 3/4"   |
| 1" Customizer® Aluminum Blinds   | 2"  |   | 3 1/8"   |
| 2" Heritage™ Aluminum Blinds   |   |   | 3 5/16"  |
| 2" Vinyl Blinds (with standard valance)  |   |   | 4"   |
| 2" Vinyl Blinds (with double valance)  |   |   |  |

# Measuring and Ordering Worksheet

**Window #1** \_\_\_\_\_

(location)

## Measuring

### For Inside Mount

Measure width of window in 3 places and circle the narrowest width below:

Width #1: \_\_\_\_\_

Width #2: \_\_\_\_\_

Width #3: \_\_\_\_\_

Measure height of window in 3 places and circle the longest height below:

Height #1: \_\_\_\_\_

Height #2: \_\_\_\_\_

Height #3: \_\_\_\_\_

Depth of window casing: \_\_\_\_\_

### For Outside Mount

Width: \_\_\_\_\_

Height: \_\_\_\_\_

## Ordering

Mount Type:  Inside  Outside

Ordering Width: \_\_\_\_\_

Ordering Height: \_\_\_\_\_

Type of Blind or Shade: \_\_\_\_\_

Style Name: \_\_\_\_\_

Color Number: \_\_\_\_\_

Controls & Options to consider:

Corded

Cordless

Bottom Up/Top Down  
(Cellular, Pleated, Roman, and Natural Shades)

Sun Up/Sun Down  
(Cellular & Pleated Shades only)

Cornice: \_\_\_\_\_

Valance: \_\_\_\_\_

Other: \_\_\_\_\_

**Window #2** \_\_\_\_\_

(location)

## Measuring

### For Inside Mount

Measure width of window in 3 places and circle the narrowest width below:

Width #1: \_\_\_\_\_

Width #2: \_\_\_\_\_

Width #3: \_\_\_\_\_

Measure height of window in 3 places and circle the longest height below:

Height #1: \_\_\_\_\_

Height #2: \_\_\_\_\_

Height #3: \_\_\_\_\_

Depth of window casing: \_\_\_\_\_

### For Outside Mount

Width: \_\_\_\_\_

Height: \_\_\_\_\_

## Ordering

Mount Type:  Inside  Outside

Ordering Width: \_\_\_\_\_

Ordering Height: \_\_\_\_\_

Type of Blind or Shade: \_\_\_\_\_

Style Name: \_\_\_\_\_

Color Number: \_\_\_\_\_

Controls & Options to consider:

Corded

Cordless

Bottom Up/Top Down  
(Cellular, Pleated, Roman, and Natural Shades)

Sun Up/Sun Down  
(Cellular & Pleated Shades only)

Cornice: \_\_\_\_\_

Valance: \_\_\_\_\_

Other: \_\_\_\_\_

**Window #3** \_\_\_\_\_

(location)

## Measuring

### For Inside Mount

Measure width of window in 3 places and circle the narrowest width below:

Width #1: \_\_\_\_\_

Width #2: \_\_\_\_\_

Width #3: \_\_\_\_\_

Measure height of window in 3 places and circle the longest height below:

Height #1: \_\_\_\_\_

Height #2: \_\_\_\_\_

Height #3: \_\_\_\_\_

Depth of window casing: \_\_\_\_\_

### For Outside Mount

Width: \_\_\_\_\_

Height: \_\_\_\_\_

## Ordering

Mount Type:  Inside  Outside

Ordering Width: \_\_\_\_\_

Ordering Height: \_\_\_\_\_

Type of Blind or Shade: \_\_\_\_\_

Style Name: \_\_\_\_\_

Color Number: \_\_\_\_\_

Controls & Options to consider:

Corded

Cordless

Bottom Up/Top Down  
(Cellular, Pleated, Roman, and Natural Shades)

Sun Up/Sun Down  
(Cellular & Pleated Shades only)

Cornice: \_\_\_\_\_

Valance: \_\_\_\_\_

Other: \_\_\_\_\_